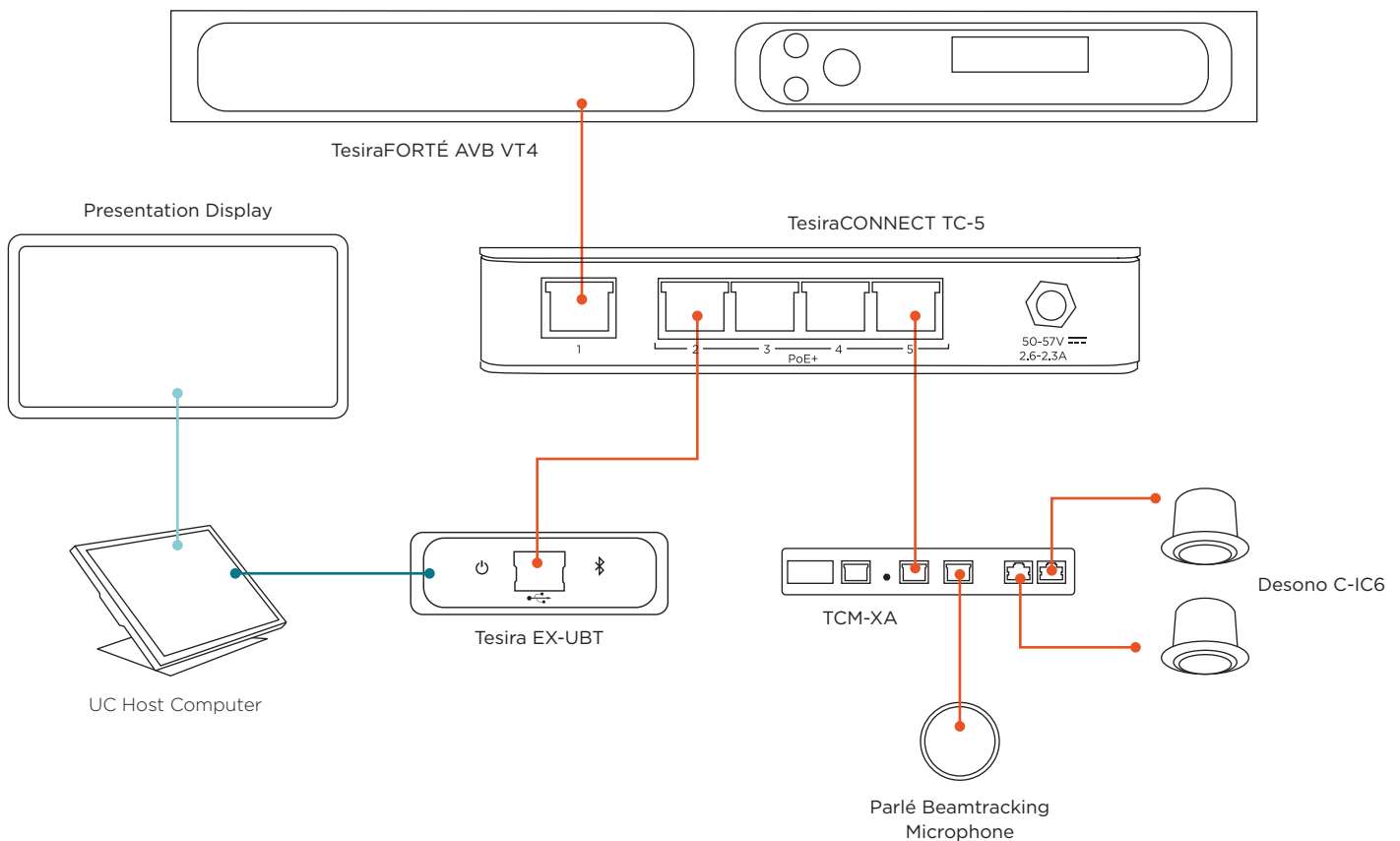


# SYSTEM DESIGN GUIDE MEDIUM CONFERENCE ROOM

biamp



Tesira® is an ideal platform for conference rooms of all sizes. Only standard Ethernet cables are needed to connect a TesiraFORTÉ® DSP to our Tesira TCM-X Beamtracking™ microphones and other conference room components, such as EX-UBT, for an exceptional conferencing experience. The peripherals are PoE+ powered, and can therefore be driven easily from our TesiraCONNECT TC-5 room expansion device.



## FEATURES/BENEFITS

- Four 90° zones can simultaneously identify and steer towards talkers, allowing participants to move freely around a space
- Tesira EX-UBT provides USB connectivity to any soft codec host, and is certified for use with Microsoft Teams Rooms, Zoom, and Google Meet.
- Audio levels remain consistent as a result of Tesira's best in class AGC processing—whether the talker is facing towards or away from our microphone.
- TesiraForte is trusted around the world to provide the best possible audio processing platform. The AVB VT4 packs all the same power while removing analog channel count no needed in today's digital conference rooms.

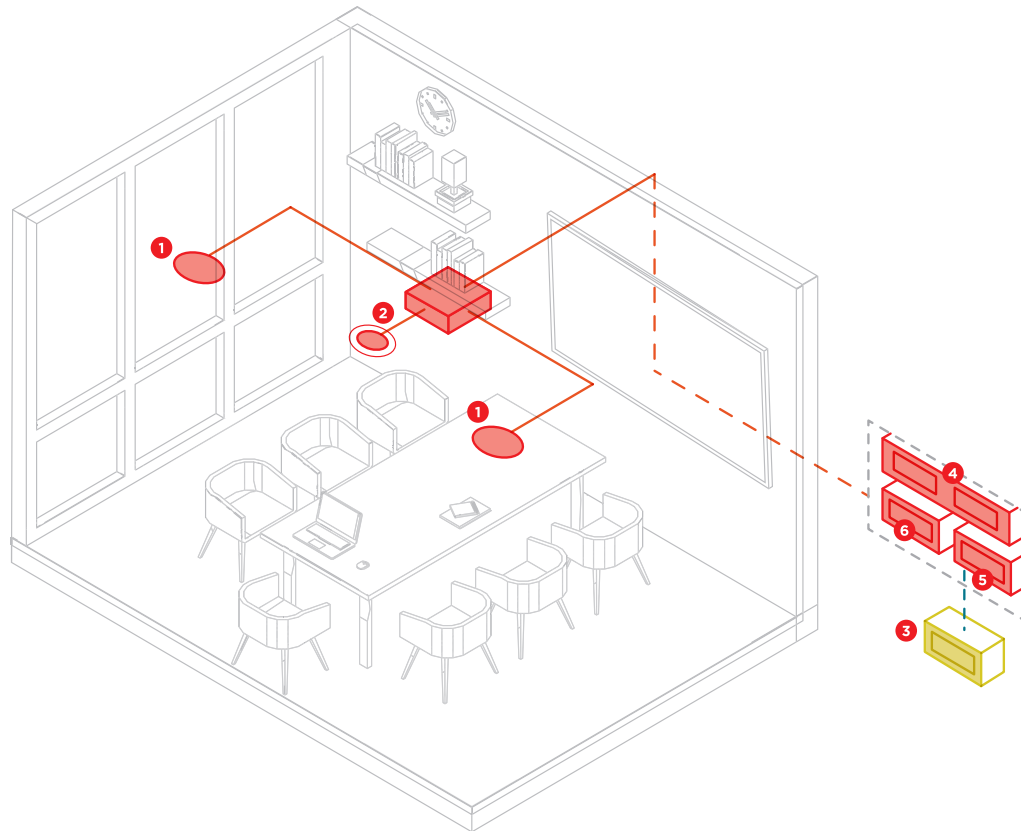
# MEDIUM CONFERENCE ROOM FLOOR PLAN

## KEY

- 1 DESONO C-IC6
- 2 PARLÉ TCM-XA
- 3 UC HOST COMPUTER
- 4 TESIRAFORTÉ AVB VT4
- 5 TESIRA EX-UBT
- 6 TESIRACONNECT TC-5

## LEGEND

- CATEGORY CABLE
- USB
- HDMI



## EQUIPMENT LIST

QUANTITY	PRODUCT	FUNCTION
1	TesiraFORTÉ AVB VT4	Powerful DSP with VoIP, POTS, and USB audio, featuring 4 inputs, 4 outputs, and 4 channels of AEC.
1	UC Host Device	Connected to Tesira EX-UBT via USB port. Customers can take full advantage of microphones and speakers in the room as part of their UC calls. Also supports mute-sync across most common UC platforms.
1	TCM-XA Beamtracking Microphone	Actively tracks and intelligently mixes conversations from around the table. The built-in 2-channel PoE+ amplifier provides amplification to the ceiling speakers.
1	Presentation Monitor	Allows all meeting participants to view a presentation or valuable data being shared in the meeting.
2	Desono C-IC6	Provides sound reinforcement for distance conferencing and/or video conferencing.
1	TesiraCONNECT TC-5	Provides a point for media connections and PoE+ power to all devices.
1	Tesira EX-UBT	Provides mute sync and AEC hand off capabilities via USB for most common UC platforms.