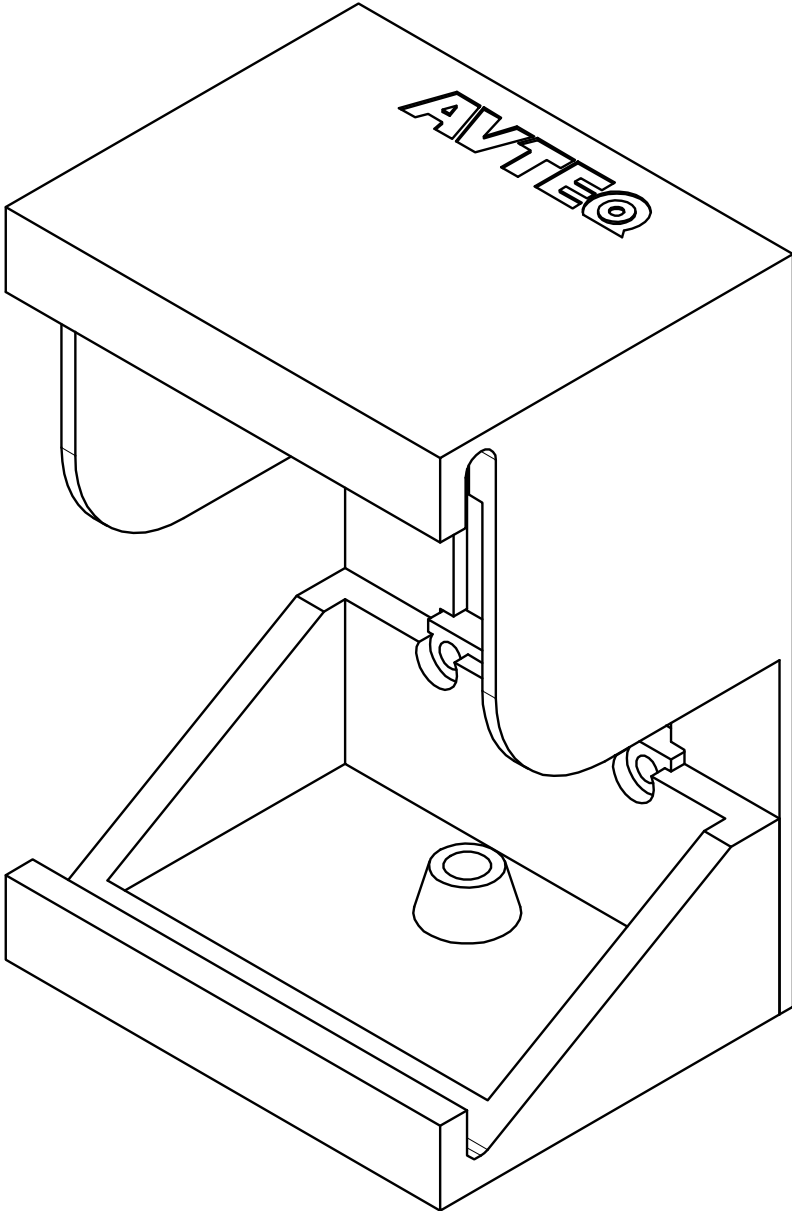




# Install Guide

---

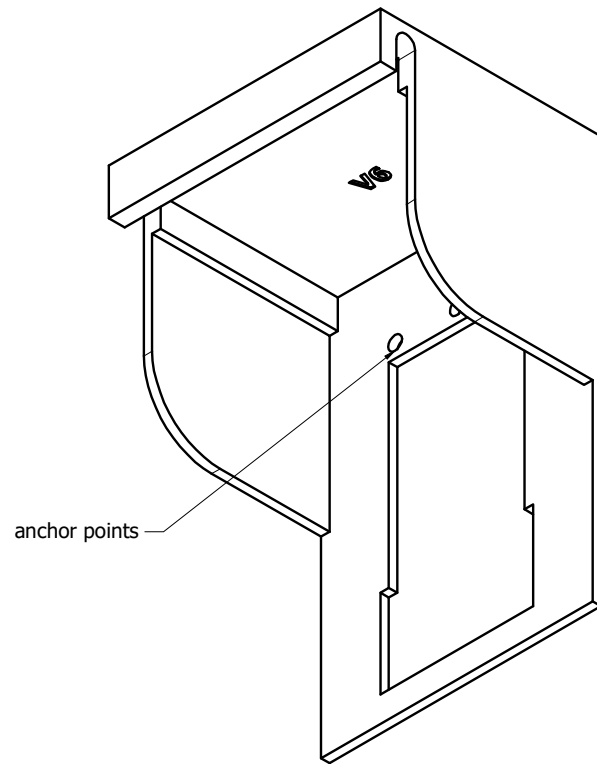
TC8-SM



1

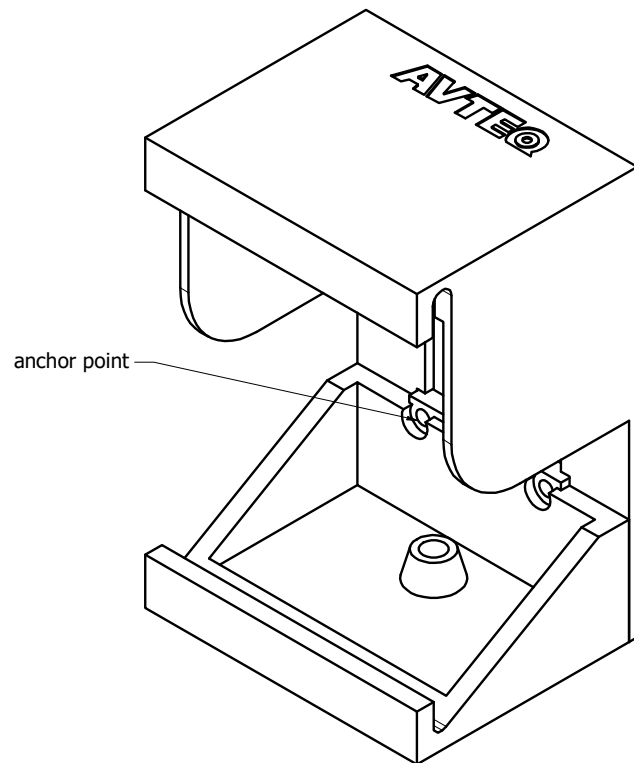
Mount top of TC8-SM to the wall either by

- 1) wall anchors or by
- 2) attaching to a single gang or dual gang wall box.



2

Place bottom section into the slot on the top section. Press into place and secure with screws.



3

Slide the tablet into the surface mount from the side so that it is centered. Use 12-24 screw provided to secure the tablet in place.

